

Features

- ✧ Two LC single-mode optical Fiber interfaces.
- ✧ Suitable for ring network.

Description

- ✧ Refer to GST-IFP4M Fire Alarm Control Panel Installation (Document # 30310301) and Operation Manual (Document # 30310331).
- ✧ P-9983 card is optional for GST-IFP4M control panel, providing two LC single-mode optical Fiber interfaces.
- ✧ This card is NOT hot-swappable.
- ✧ Refer to the control panel manual for following settings.
 - 1) Define the quantity of network cards connecting to the control panel.
 - 2) Set addresses quantity of the control panels in the system.
- ✧ LEDs
 - 1) P-9983 card has internal RS485, FIBER1 (RX1, TX1) and FIBER2 (RX2, TX2) ports. Illuminating HL1 and HL2 mean that a port is fault.
 - 2) Flashing HL1 and HL2 mean that P-9983 works normally.
- ✧ In Fiber-optical network made of those cards, FIBER1 connects with the FIBER2 of the neighbor control panel. Maximum distance between two networked panels shall be within 20 km.
- ✧ One GST-IFP4M control panel can connect max three P-9983 cards, refer to Fig. 2.



Installation

The position of P-9983 card is shown in Fig. 2. P-9983 Fiber-Optical Network Card can be plugged into L5/L6, S1 or S2 slot of MB-400 Mother Board. Maximum three Network cards, including P-9966A or P-9983 may be used in the panel.

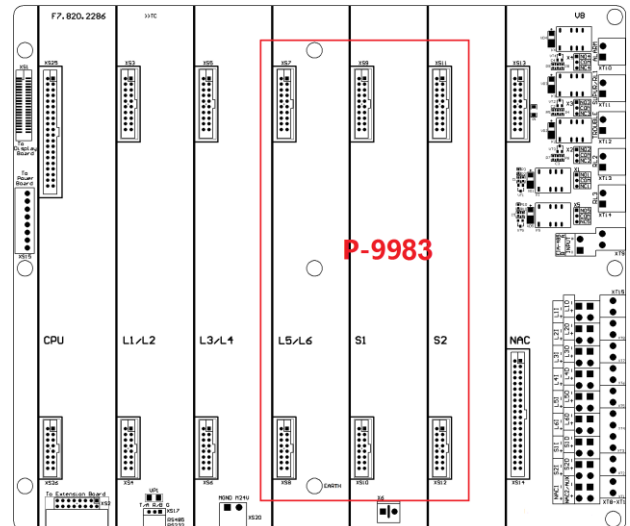


Fig. 2

Connection & Wiring

The position for the fiber interface is on the fiber network card. Fig 1 shows the connection between the P-9983 Fiber-Optical Network Card.

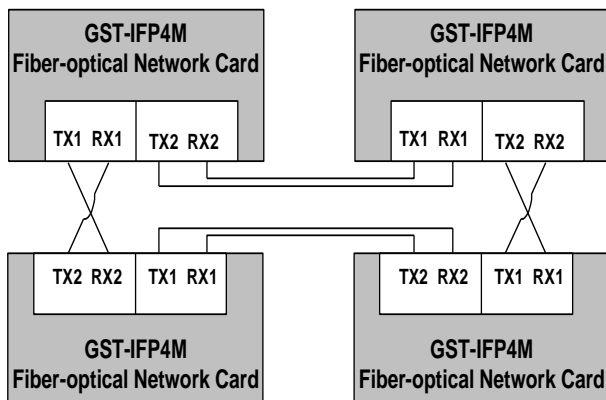


Fig. 1 Fiber Ring Network

Application

P-9983 Fiber-optical Network Card is inserted into mother board slots of the control panel as shown in Fig.2. Ring network is formed though twisted pair as shown in Fig. 1.

Specification

Comm. Interface	single-mode optical Fiber
Comm. Distance	The distance between two neighbor nodes is less than 20 km
Network Capacity	Maximum 250 GST series control panels for networking.
Transmission Medium	Fiber
Baud Rate	115200 bps

Ambient Temperature	0-49°C/32-120° F
Relative Humidity	93% RH (non-condensing)

Trouble shooting

Problems	Solutions
Messages cannot be transmitted.	<ol style="list-style-type: none"> 1. Check if the communication is normal according to status of LED HL1 and HL2. 2. Check if the connection is correct according to Fig. 1. 3. Check addresses of control panels in turn.

Limited Warranty

GST warrants that the product will be free from defects in design, materials and workmanship during the warranty period. This warranty shall not apply to any product that is found to have been improperly installed or used in any way not in accordance with the instructions supplied with the product. Anybody, including the agents, distributors or employees, is not in the position to amend the contents of this warranty. Please contact your local distributor for products not covered by this warranty.

This Data Sheet is subject to change without notice. Please contact GST for more information or questions.

Gulf Security Technology Co., Ltd.

No. 80, Changjiang East Road, QETDZ, Qinhuangdao, Hebei, P. R. China 066004

Tel: +86 (0) 335 8502434 Fax: +86 (0) 335 8502532

service.gst@fs.utc.com www.gst.com.cn